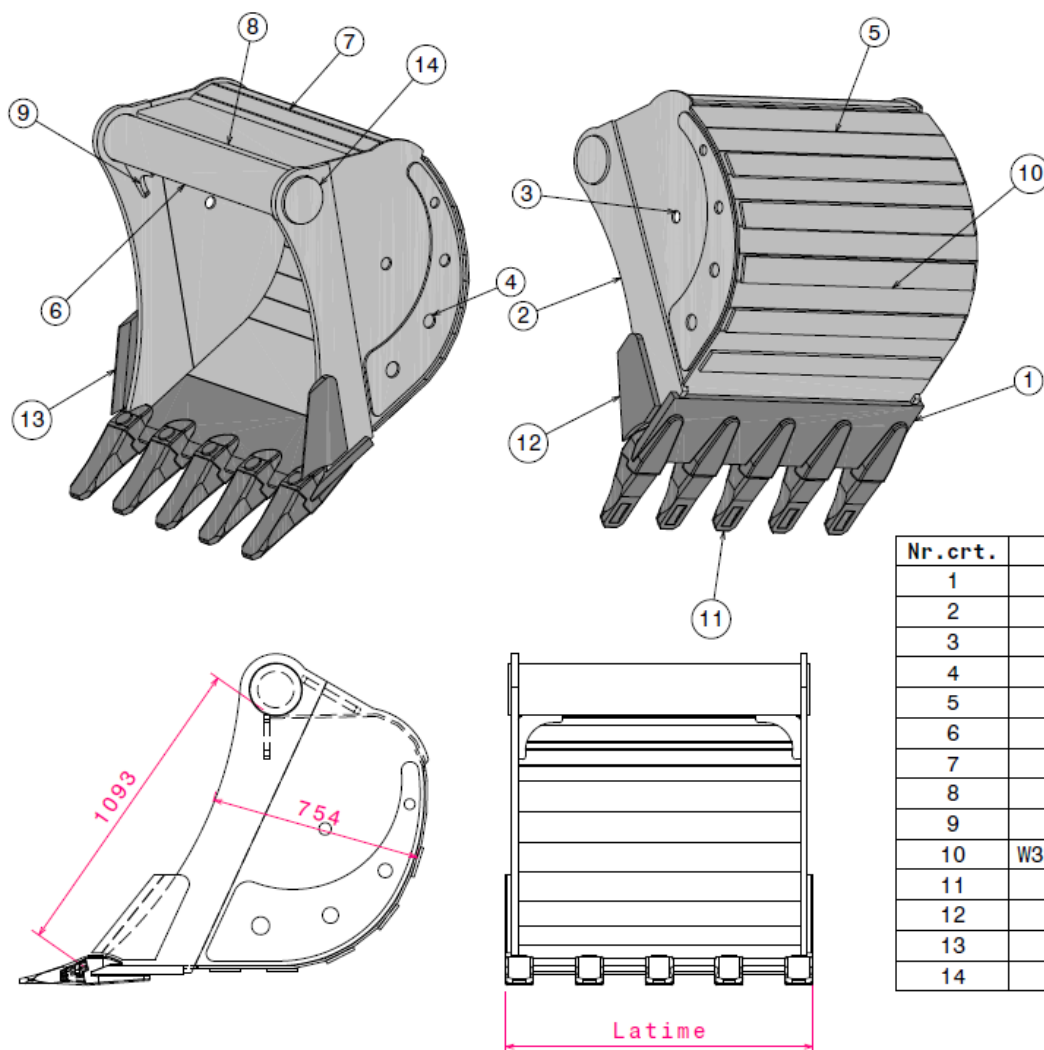


## CUPA ZX210LCN-6 1,3mc



Cupa excavat - clasa T65 (18-22t)

Latime [mm]	Volum [m <sup>3</sup> ]	Greutate [kg]	Dinti [buc]
1500	1.256	929	6

Volumul este calculat cu varf conform SAE J296.

Nr.crt.	Denumire	Cantitate	Observatii
1	Lama HB 300.30	1	tg30 - HB400
2	W26	2	tg25 - S355J2+N
3	W27	2	tg10 - S355J2+N
4	W28	2	tg10 - S355J2+N
5	W29	1	tg10 - S355J2+N
6	Teava 168.25	1	-
7	W30	1	tg10 - S355J2+N
8	W31	1	tg20 - S355J2+N
9	W23	2	tg20 - S355J2+N
10	W32 (otel lat 110.10)	5	tg10 - S355J2+N
11	Dinte U30H	-	-
12	W33.1	1	tg20 - HB400
13	W33.2	1	tg20 - HB400
14	W26.R	2	tg25 - S355J2+N